



Overhead Ionizing Blower

AEROSTAT® GUARDIAN

Simco-Ion's Aerostat Guardian Overhead Ionizing Blower provides superior static charge decay over an entire work surface area. Equipped with task lighting and an integrated heater, the Guardian offers user-friendly operation while effectively protecting sensitive components from ESD damage.

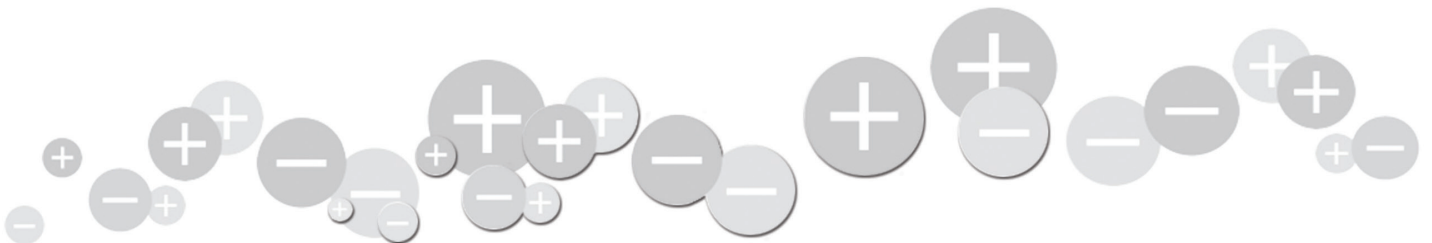
Featuring Simco-Ion's patented inherent balance and built-in emitter point cleaners, the Guardian is the lowest maintenance overhead ionizer available. Like Simco-Ion's other Aerostat series ionizing air blowers, the Guardian operates on AC Technology to provide stable balance performance over long periods of use. It is available with airflow diffusers for superior static charge decay efficiency over a large work surface area. Without diffusers, the Guardian provides fast charge decay directly under the unit for targeted work surface coverage.



Features

- Inherently balanced to $0 \pm 10V$
- Integrated heater and task lights
- AC Technology
- Ionization light
- Integrated manual emitter point cleaner

Benefits

- Protects even the most sensitive electronic components
- User-friendly—enhances operator comfort and efficiency
- Stable balance over extended periods of use
- Verifies that the unit is ionizing
- Easy to maintain



Specifications	
Input Voltage	120 VAC, 60 Hz, 0.5A (fan low, heater/light off); 2.5A (fan high, heater/light on) 230 VAC, 50 Hz, 0.2A (fan low, heater/light off); 1.5A (fan high, heater/light on)
Discharge¹	3.0 sec @ 18" (45.7 cm) center blower position; fan high-no diffusers (1000-100V)
Balance	0 ±10V @ 18" (45.7 cm) from blower face
Ion Emission	AC Ionization
Coverage	2' x 4' (61 cm x 122 cm) area
Cleanroom Class	Meets ISO 14644 Class 5 (Fed std. 209E Class 100)
Emitters	Stainless Steel emitter points
Controls	Fan speed control knob BLOWER ON; on/off switch HEATER & TASK LIGHT
Indicators	Orange IONIZATION STATUS; orange within on/off switches HEATER & TASK LIGHT
Air Volume	150-300 cfm (low to high), combined 3-fan output
Heated Air Temp	25°F (14°C) fan low; 11°F (6°C) fan high measured @ 6" (15 cm) in front of center fan above ambient;
Audible Noise	50 dBA fan low; 60 dBA fan high
Operating Env.	Temperature 32-122°F (0-50°C); humidity 30-70% RH, non-condensing
Ozone²	0.02 ppm, measured @ 12" (30 cm) in front of unit
LED Lamp	2 ea x 5W, 508 Lumen
Air Filter	30 ppi open cell polyurethane foam (optional)
Mounting	Adjustable brackets and S-hooks provided
Enclosure	Powder-coated white enamel aluminum
Weight	16 lb (7.3 kg)
Dimensions	42.75"W x 4"H x 6.75"D (108.6 x 10.2 x 17.1 cm)
Warranty	Two year limited warranty
Certifications	 230V, 50 Hz  120V, 60 Hz  

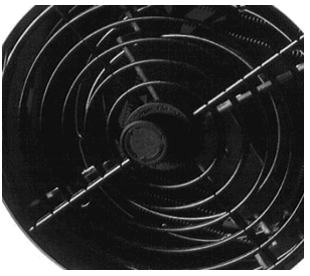
1. Tested in accordance with ANSI/ESD STM3.1-2015.
2. Test conducted in accordance with EPS EQQA-9577-019 using Dashibi Ozone Monitor Model 1003AH.

Ordering Information

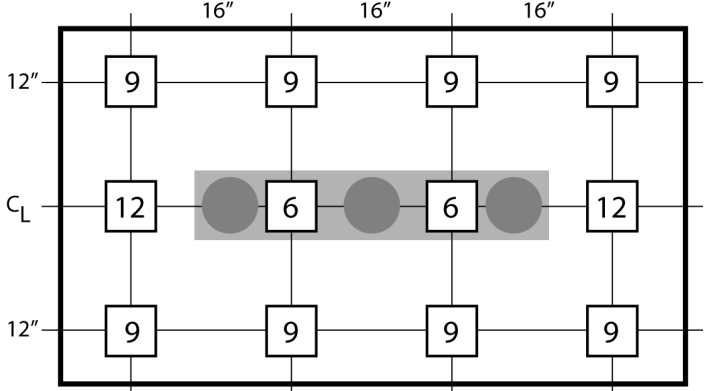
91-GUARD-US01	Aerostat Guardian, 120V, 60 Hz
91-GUARD-US01	Aerostat Guardian (no diffusers), 120V, 60 Hz
91-GUARD-EU01	Aerostat Guardian, 230V, 50 Hz, (EU)
91-GUARD-UK01	Aerostat Guardian, 230V 50 Hz, (UK)
32-6356-02	Outlet Diffuser
4710017	Aerostat Guardian Air Filter Retainer (1 per fan required)
4100810	Aerostat Guardian Air Filter Pack (6 filters)
13-20520	Aerostat Guardian Task Light LED Lamp, 13W (2 per blower)

Emitter Point Cleaner

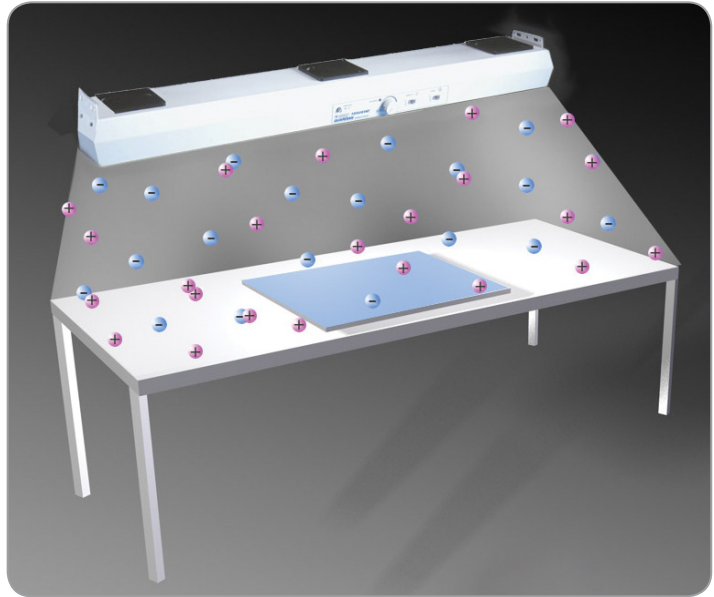
The Aerostat Guardian features a built-in manual emitter point cleaner for each fan. Using the emitter point cleaner takes only seconds. Cleaning the emitter points prevents the build-up of airborne debris. This keeps your Aerostat Guardian working in top form for the life of the unit.



Discharge Times Performance



Discharge time in seconds (1000-100V), fan speed set to high. Guardian blower 18" from CPM measuring plate. CPM test plate 1" from table. Discharge times slightly longer for 230 VAC, 50 Hz unit.



Overhead Ionization application



An ITW Company
DS-GUARD-01 Rev 4 - 9/19
© 2019 Simco-Ion
All rights reserved.

Simco-Ion, Technology Group
1141 Harbor Bay Parkway, Suite 201
Alameda, CA 94502
Tel: +1 (800) 367-2452 (in USA)
Tel: +1 (510) 217-0460
ioninfo@simco-ion.com
www.simco-ion.com